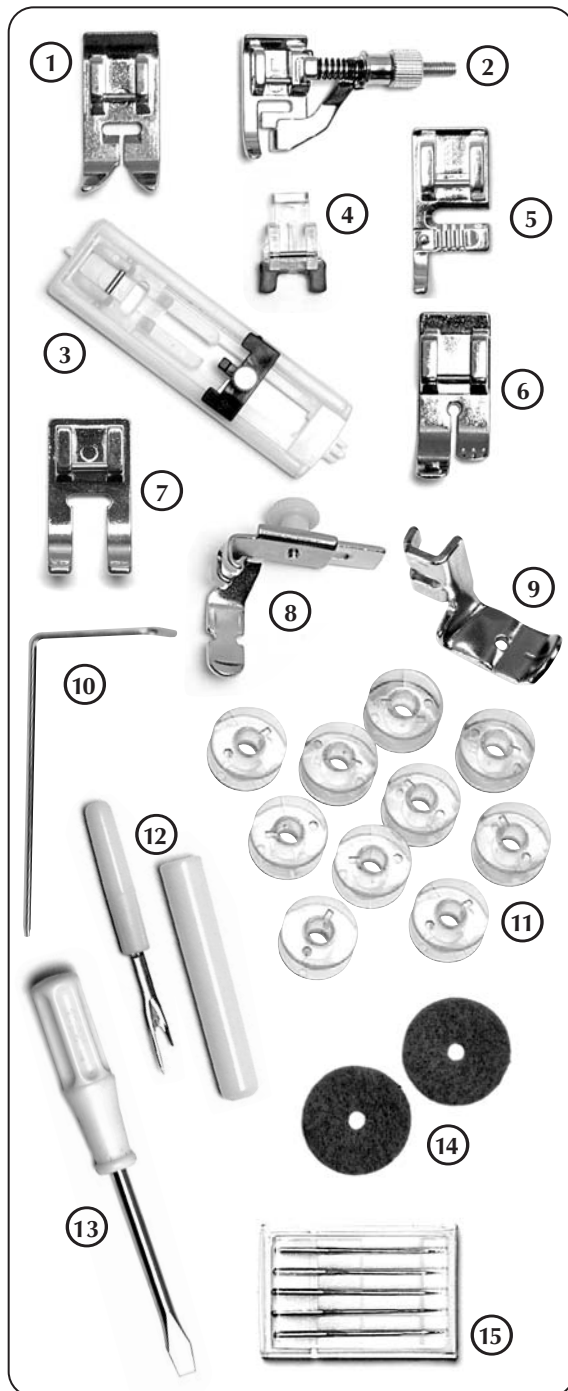


## KNOW YOUR SIMPLICITY SEWING MACHINE

### ACCESSORIES

The SIMPLICITY sewing machine comes with the presser feet and accessories you will need, conveniently stored in the free arm cover. This low shank machine uses snap-on or screw-on presser feet.



- ① **ALL-PURPOSE FOOT - snap-on**  
Use for most straight and zigzag seams. The needle opening is rectangular to accommodate the swing of the needle in a zigzag stitch.
- ② **BLIND HEM FOOT - snap-on**  
Features an adjustable guide for positioning and evenly stitching blind hems, topstitching, or edgestitching.
- ③ **BUTTONHOLE FOOT - snap-on**  
Use for sewing made-to-measure buttonholes.
- ④ **BUTTON ATTACHING FOOT - snap-on**  
Holds flat buttons secure for machine stitching in place.
- ⑤ **CORDING FOOT - screw-on**  
Grooves on the foot guide lightweight cords under the stitches for decorative applications.
- ⑥ **1/4" STRAIGHT STITCH FOOT - snap-on**  
Use to sew lightweight fabrics or for patchwork piecing.
- ⑦ **OPEN TOE SATIN STITCH FOOT - snap-on**  
Satin stitching glides comfortably under the sole of this foot and the open toe provides clear visibility of stitches.
- ⑧ **ZIPPER FOOT - screw-on**  
Adjusts to stitch close to either side of the zipper without catching the zipper coil.
- ⑨ **GATHERING FOOT - screw-on**  
Instantly gathers fabric as you sew. Use **ONLY** the straight stitch with this foot.
- ⑩ **SEAM GUIDE**  
Use to sew evenly spaced, parallel rows of stitching.
- ⑪ **PLASTIC BOBBINS (10)**  
Hold lower thread. These are "Class 15" bobbins.
- ⑫ **SEAM RIPPER**  
Use to remove stitching and to open buttonholes.
- ⑬ **SCREWDRIVER**  
Use to loosen and tighten the presser foot thumb screw, needle clamp screw, and needleplate screw.
- ⑭ **FELT CUSHIONS (2)**  
Fit on the spool pin beneath the thread spool, stabilizing the spool and preventing the thread from wrapping around the spool pin.
- ⑮ **NEEDLES (5)**  
The most commonly used "universal" needles, size #11 and #14, are included. This machine uses 15x1 household sewing machine needles.